

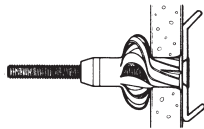
TIP FOR GETTING STARTED

Be careful not to drill into any electrical wires, ductwork, plumbing or other damagable components. If you have any questions on the locations of these wires or lines, please contact a professional electrician or plumber before drilling.

Tools needed: pencil, scissors, level, power drill, drill bits, #2 Phillips head bit for power drill, #2 Phillips head screwdriver, hammer, tape measure, ladder or step stool.

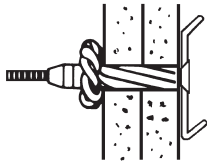


NOTE! Make sure to use the appropriate hardware based on what type of wall you have.



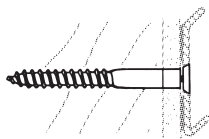
Expander for single plasterboard (G5)

Used for 1/2"/3 mm or 5/8"/17 mm thick drywall. Use 3/8"/10 mm drill bit to drill hole. Insert dark blue anchor, remove and discard the gray spacer. Use #2 Phillips head bit to tighten the screw.



Expander for double plasterboard (G6)

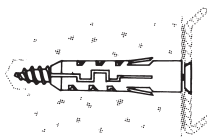
Used for 1"/18-30 mm thick plaster or drywall. Use 3/8"/10 mm masonry drill bit to drill hole. Insert red anchor, remove and discard the gray spacer. Use #2 Phillips head bit to tighten the screw.



Screw and plug

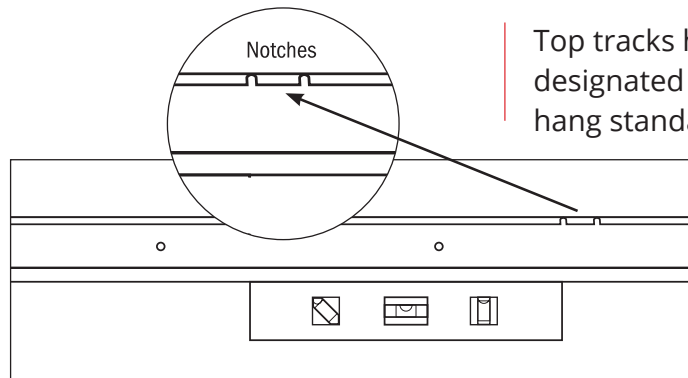
Wood

Used for mounting into drywall over wood studs or directly into wood. Use 1/8"/3 mm drill bit to drill a pilot hole the length of the bit. Discard anchor. Use #2 Phillips head bit to tighten the screw.



Concrete walls

Used for mounting into masonry walls, concrete, brick, etc. Use 5/16"/8 mm masonry drill bit to drill hole. Insert light blue anchor. Use #2 Phillips head bit to tighten the screw.



Top tracks have a top and a bottom. The TOP is designated by a label and has two notches to allow hang standards to be inserted properly.

1



Position the top track

Place top track at desired height, mark one hole in the middle, and take the top track down. It is usually placed at ceiling or door height, but may be placed at any height.

2



Begin drilling the marked hole with a 1/8"/3mm drill bit. If you hit wood, continue drilling the entire length of the bit. If you hit the hollow part of the wall, enlarge the hole with a 3/8"/10mm drill bit for the hollow wall anchors.

3



Put the top track up with one screw and tighten it enough to hold the top track against the wall.

4



To keep the top track level while you mark **all** of the holes, place a level on the top of the top track and adjust it as required.

5

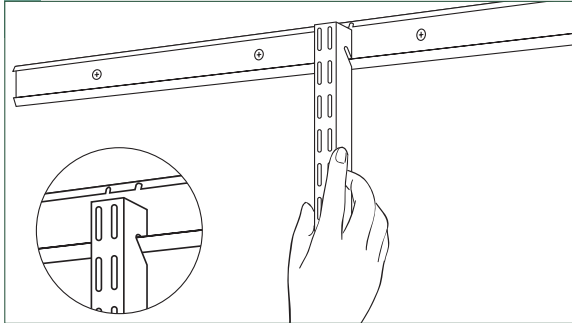


Drill all marked holes and put up the top track

Take the top track off of the wall. Drill holes with a 1/8"/3 mm drill bit, assuming you are going into wood. If you hit wood, continue drilling the entire length of the bit. Put the top track up and insert and tighten all the screws.

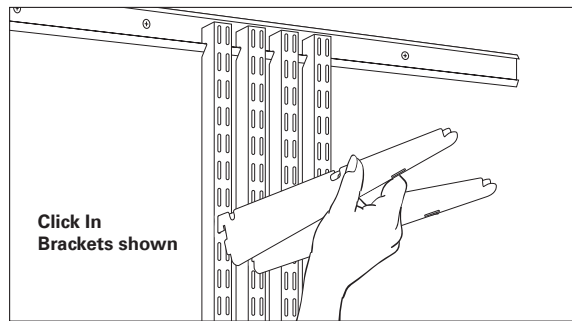
If you hit the hollow part of the wall, mark those holes with an X, reminding yourself you need to go back and drill a 3/8"/10 mm hole for the hollow wall anchors.

1

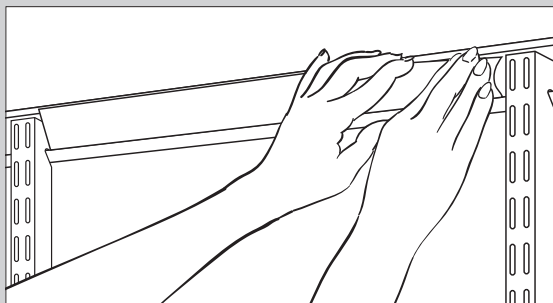


Insert the hang standards in the top track notches.

2



1. Group hang standards together and insert bracket click in at the appropriate height based on your space plan.
2. Slide the hang standards to their approximate position on the top track. Refer to your custom space plan for placement of the hang standards, if you have one.
3. Hang standards should be a minimum of 1/2"/10 mm from the ends of the top track.



You should install your top track cover after you have completed all the installation steps. Please refer to the instructions once you have placed all of your shelves and your drawers and are satisfied with the positioning of your solution.

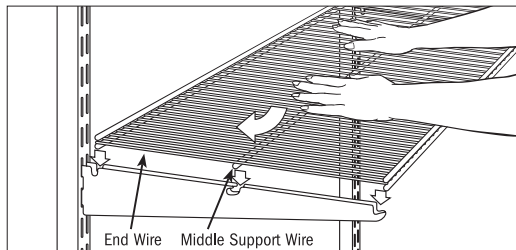
Top Track Cover Installation

1. Because the top track cover is placed between the hang standards, the shelves must be in place to ensure the spacing between the hang standards is set.
2. Start with long pieces first. Place the bottom of the top track cover into the bottom of the top track, then ease the top of the top track cover into the top of the top track.
3. Measure the area on the top track where smaller pieces of the top track cover are needed.
4. Measure and mark the top track cover where the cuts need to be. The cover is easily cut in a straight line with scissors.
5. Do not overlap segments of the top track cover.

TIP Install the wire shelves from shortest to longest, regardless of their location in the space.

Install gliding components and hanging drawers before installing wire shelves.

1



Install the wire shelves

Place the shelf wires over bracket click in notches.
Install the shelf with end wires inside the brackets.
Lock the shelf into place by pressing down on the middle of the shelf and pushing toward the wall.

To REPOSITION a wire shelf after it's been attached to the brackets: Hold by the brackets, and lift the front of the shelf toward the ceiling and outward to release the entire unit from the hang standards. (Works on all shelves except 20"/494 mm depth.)

To REMOVE a wire shelf from a bracket while on the hang standards: Hold the hang standard steady with one hand. Place the other hand at the back of the shelf. Pull up and forward to release.



Install wire shelf baskets (not shown)

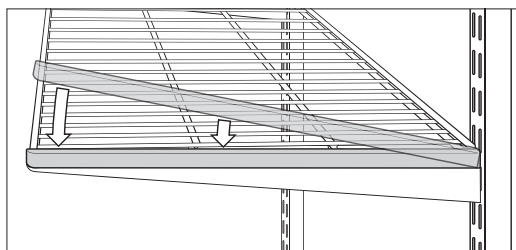
With the double wire front lip of the wire shelf basket facing forward, place the wire shelf basket wires over the bracket click in notches.

Install the wire shelf basket with the end wires inside the bracket.

Lock the wire shelf basket into place by pressing down on the middle of the wire shelf basket and pushing toward the wall.

Insert wire shelf basket dividers where desired, if applicable.

2



Bracket cover installation

Left and right bracket covers are not interchangeable.

Place the outer edge of the bracket cover over the outer edge of the bracket click in.

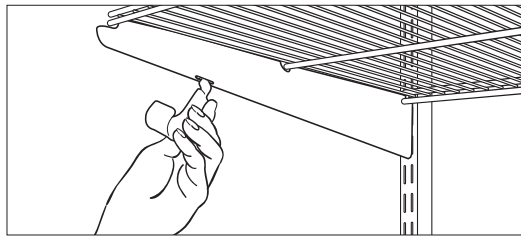
Push down from the back to the front to snap the bracket cover in place.

NOTE!

Install the wire shelves from shortest to longest, regardless of their location in the space.

Wire shelves have a top and a bottom. The middle support wire(s) is connected to the bottom of the shelf.

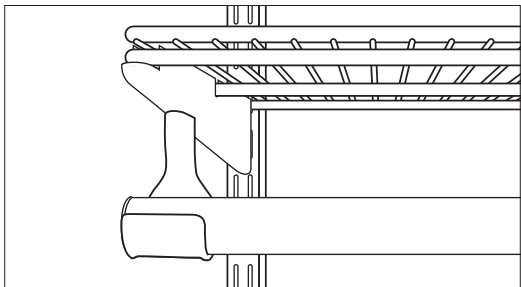
1



Insert the closet rod holder

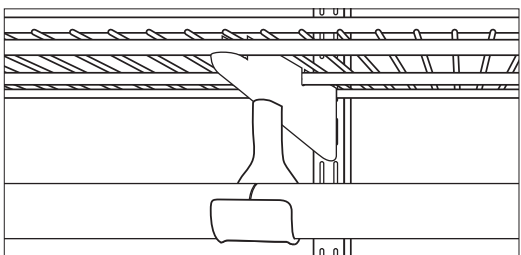
Insert the closet rod holder into the slot in the bottom of the bracket click in.

2



Snap in the closet rod

Tap the end caps into both ends of the closet rod. Snap the closet rod into the closet rod holder.



Installing closet rods that share a closet rod holder

First, install joined rods in the center of the closet rod holder, then place the outer ends in the closet rod holder.

Tap the end caps only into the non-joined ends of each closet rod. Adding end caps to the joined ends creates a gap.

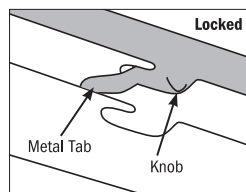
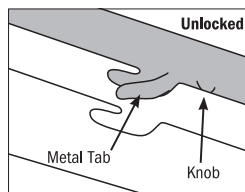
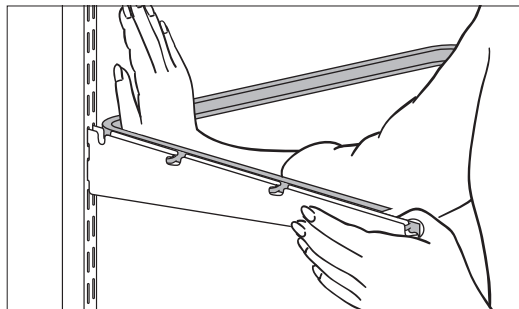
NOTE!

Install gliding drawer frames and pant rack before installing wire shelves.

Gliding components like drawer frames and pant rack are all installed with the same U-shaped metal glide.

If you would like more space between drawers, simply move them to the desired position.

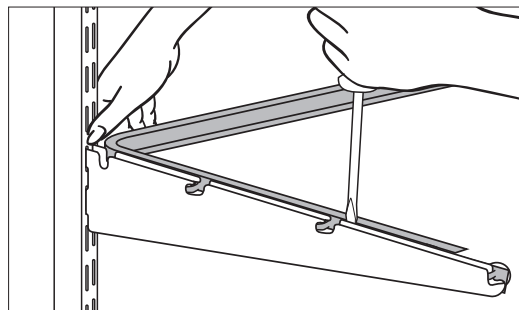
1



Install the U-Shaped metal glide

The U-Shaped metal glide has three metal tabs and a metal knob on each side (located at the top of the glide) that locks the glide into the bracket click in.

- Begin with the left bracket click in. Align the metal tabs on the U-shaped metal glide with the cutout notches of the bracket click in.
- When aligned, hold the front of the bracket and press on the U-shaped metal glide at the back rounded corner until you hear it lock into place.
- Repeat on the right side.



Reposition and remove

To REPOSITION the U-shaped metal glide: It is not necessary to remove the glide from the brackets.

Simply tilt up the front of both brackets and remove them from the hang standards. Place in the desired location.

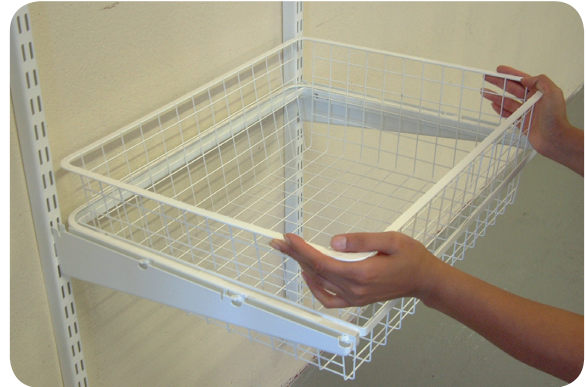
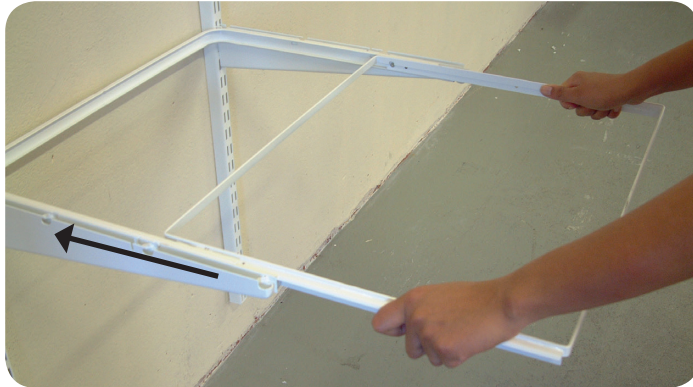
To REMOVE the U-shaped metal glide from the brackets: Place one hand at the back of the glide.

With your thumb on the hang standard, gently push the glide forward with your fingers.

At the same time, insert and twist a small flat head screwdriver between the bracket and U-shaped metal glide in front of the knob holding the glide in place.

The U-shaped metal glide should pop out of the bracket. Repeat on the other side.

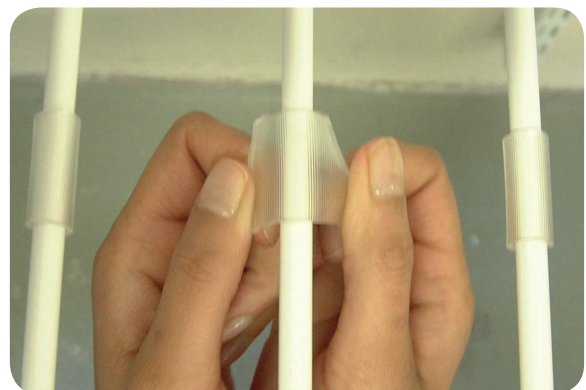
GLIDING DRAWER FRAMES AND DRAWER



Insert gliding frame

Align the rollers on each side of the frame with the openings in the U-shaped metal glide. Slide the gliding frame into the glide.

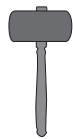
GLIDING PANT RACK



Insert pant rack

Align the rollers on each side of the frame with the openings in the U-shaped metal glide. Slide the pant rack into the glide.

BASIC TOOLS FOR ASSEMBLY AND INSTALLATION

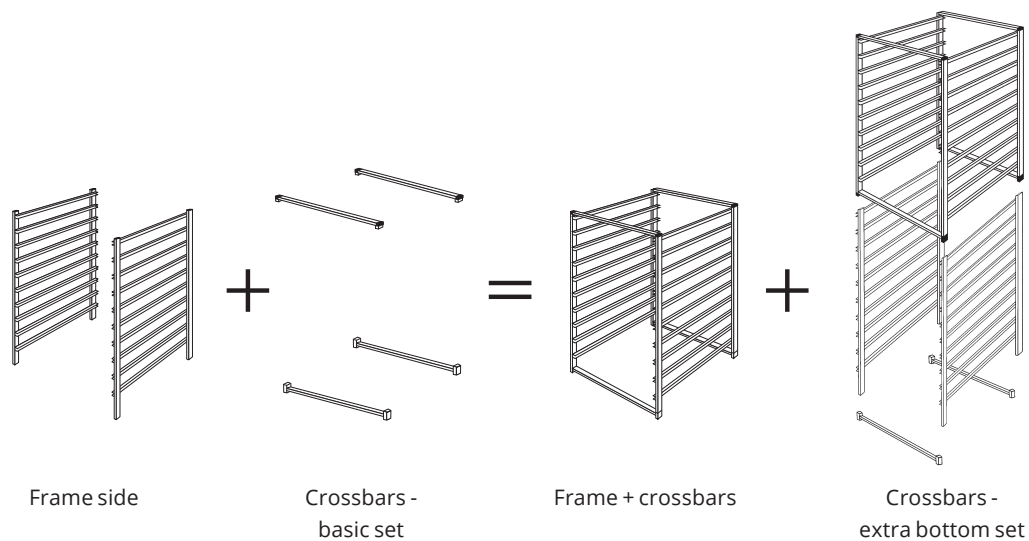


Plastic mallet



Wood block to protect the floor

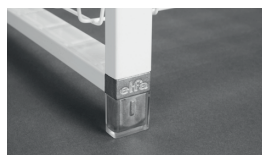
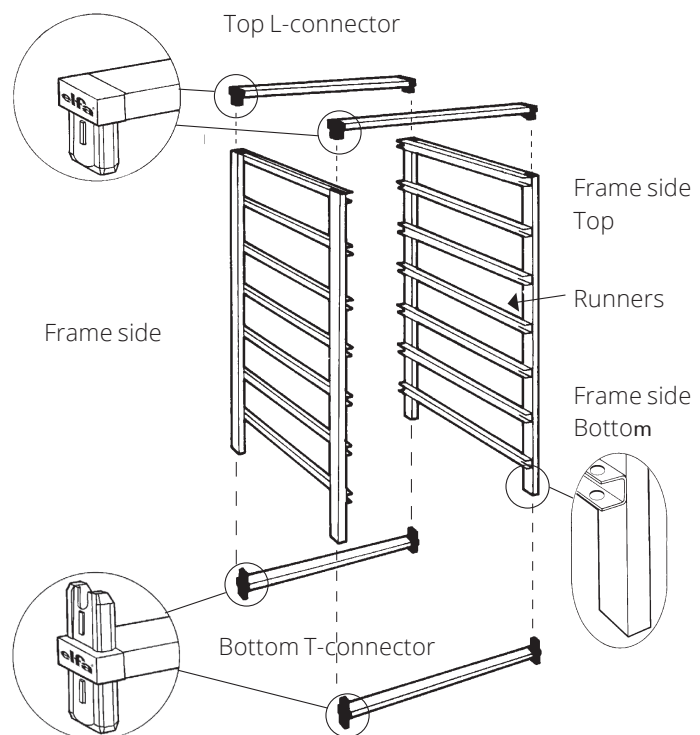
An drawer frame unit consists of the frame and the drawers that slide into the frame. The frame is made up of two frame sides and a set of four crossbars. Single drawer frames units can be combined both in height and width.



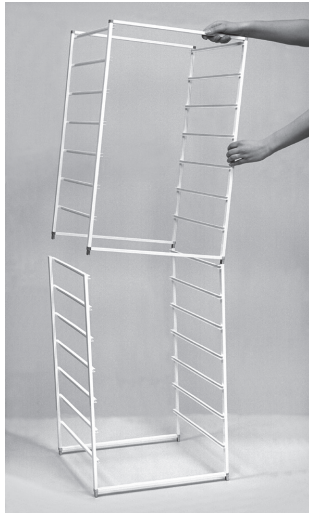


SINGLE DRAWER FRAME UNIT

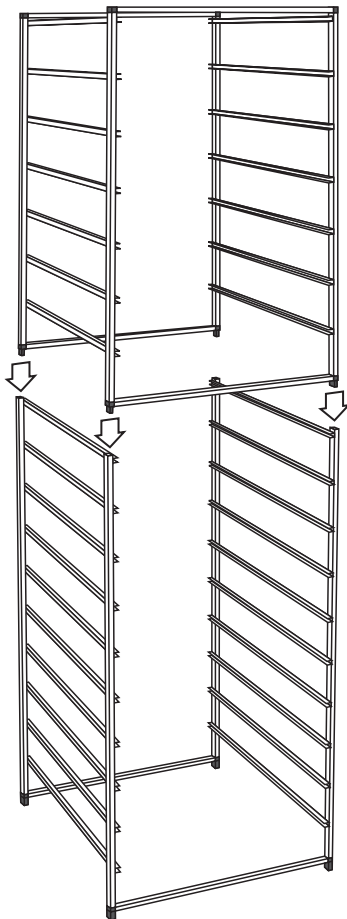
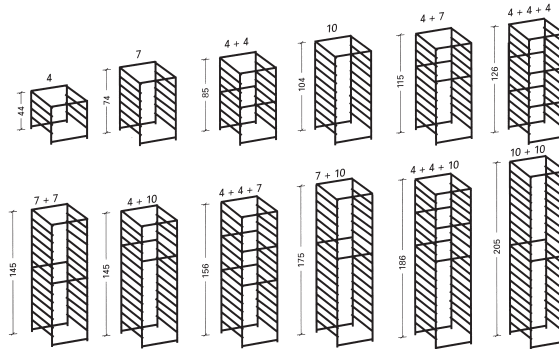
1. Position the side panels, runners facing inward.
2. Using a plastic mallet, tap the bottom T-crossbars into the bottom of each side panel.
3. Tap the Top L-connectors into the top of each frame side.
4. Slide in the drawers.



You can add frame feet to protect the floor.

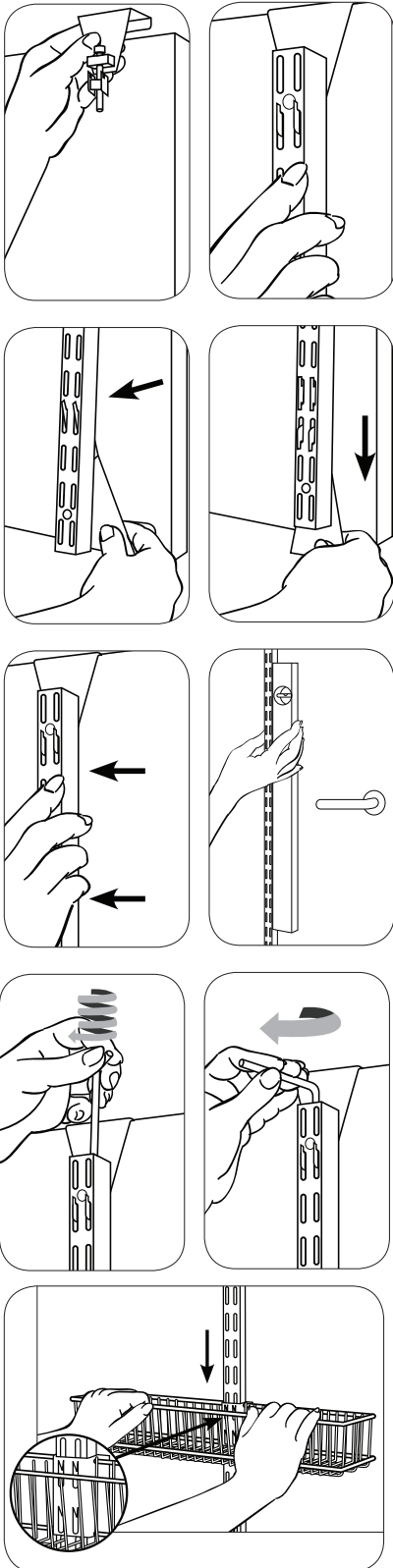


Drawer frames can be combined for a variety of heights. Use frames sides of the same width.



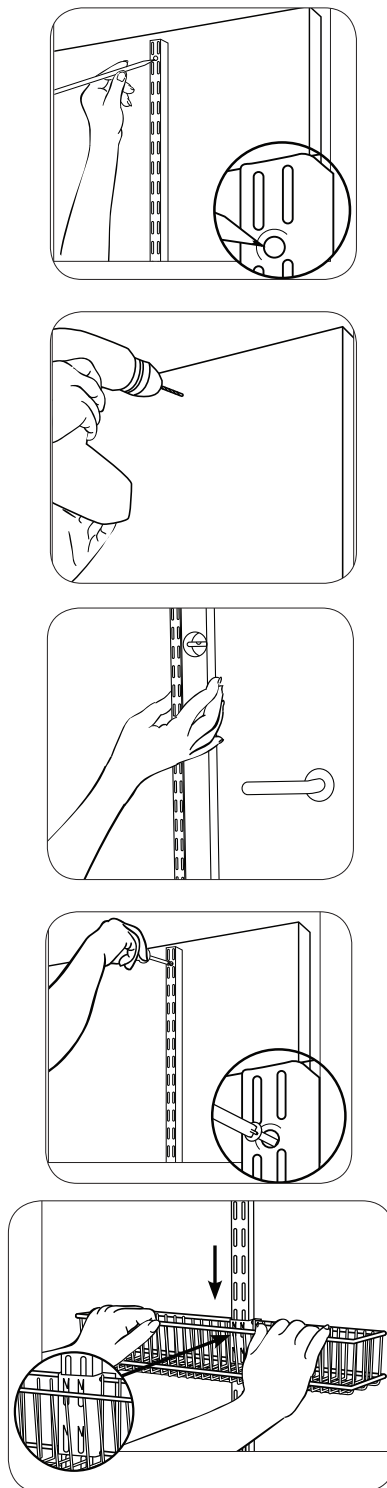
1. Assemble the top frame completely.
(See steps for assemble a single frame)
2. Assemble the bottom frame,
omitting the top L-crossbars.
3. Lower the top frame onto the bottom frame
4. Secure using a plastic mallet by firmly tapping each
corner of the top frame until bottom T-crossbars
are completely inserted into the bottom frame.

OVERDOOR



SOLID DOOR

Ø 1/10" / 2,5 mm



HOLLOW DOOR

Ø 1/4" / 7 mm

