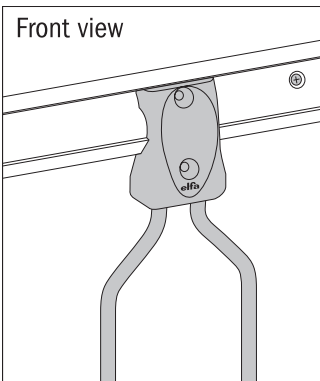
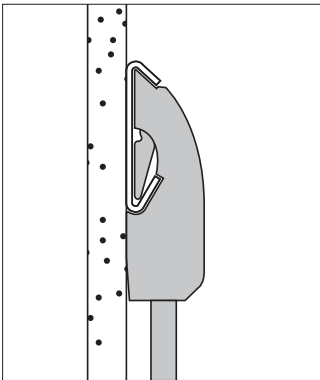
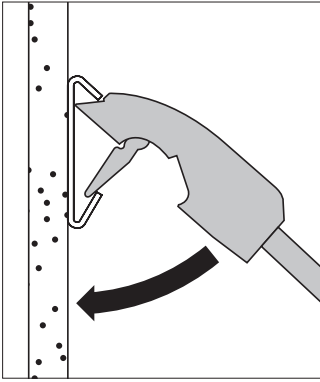
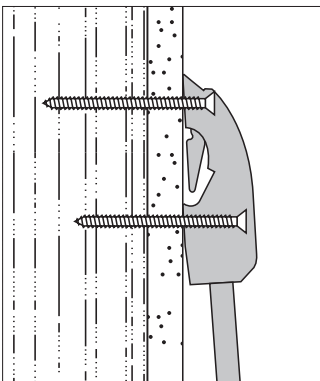


**A**



**B**



**Tools needed if installing Hook or Holder directly to wall:** drill and #2 Phillips screwdriver

**TIP**

Insert the lower tab of the Hook into the Track first.

**A To Install on an Elfa Track**

- Insert lower tab of Hook into the lower lip of Track.
- Insert top of the Hook under top lip of Track.
- Pull down on the Hook until it "clicks" into place.

**B Wall-Mounted Installation**

- You must locate a stud for wall-mounted installation.
- Drill 1/8" pilot holes the length of the screws.
- Tighten with #2 Phillips screwdriver.